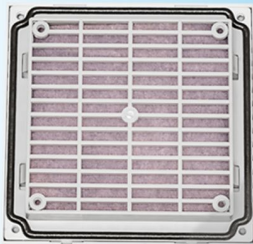


IP54

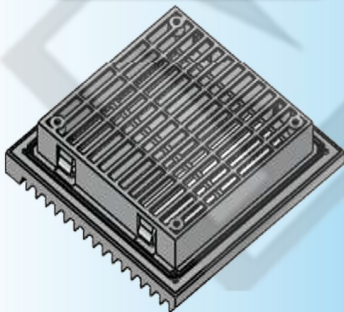


Shade
RAL 7032
on request

Photo View



3D Rendered View

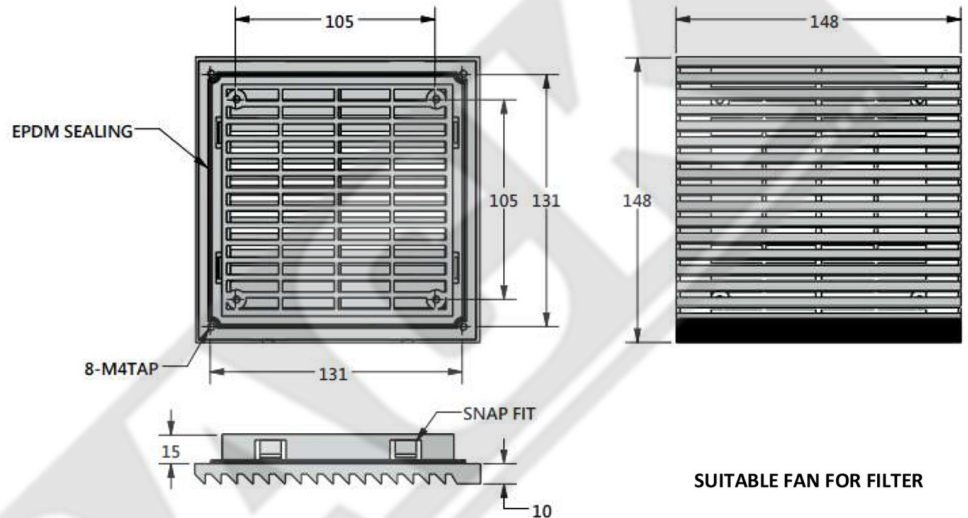


Fan & Filters

For Product Step File or 3D Model Send a Request Mail To info@nrack.com

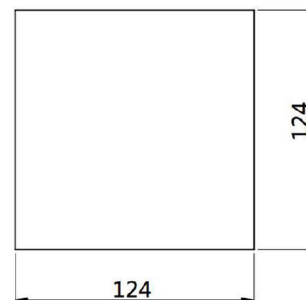
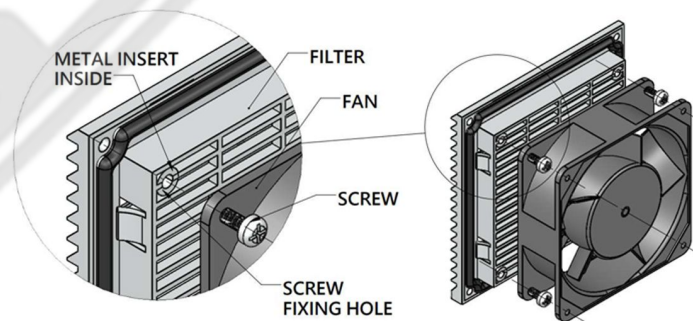
MODEL No:- FBL 9803

Fans can be mounted directly to the Airvents



SUITABLE FAN FOR FILTER

FILTER WITH FAN ASSEMBLY



CUT OUT