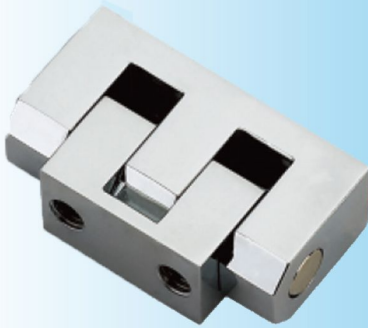
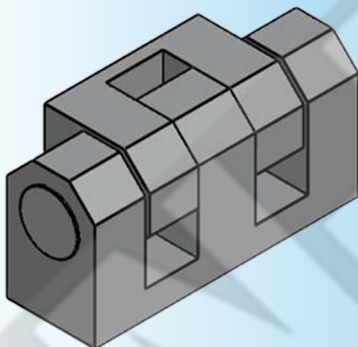




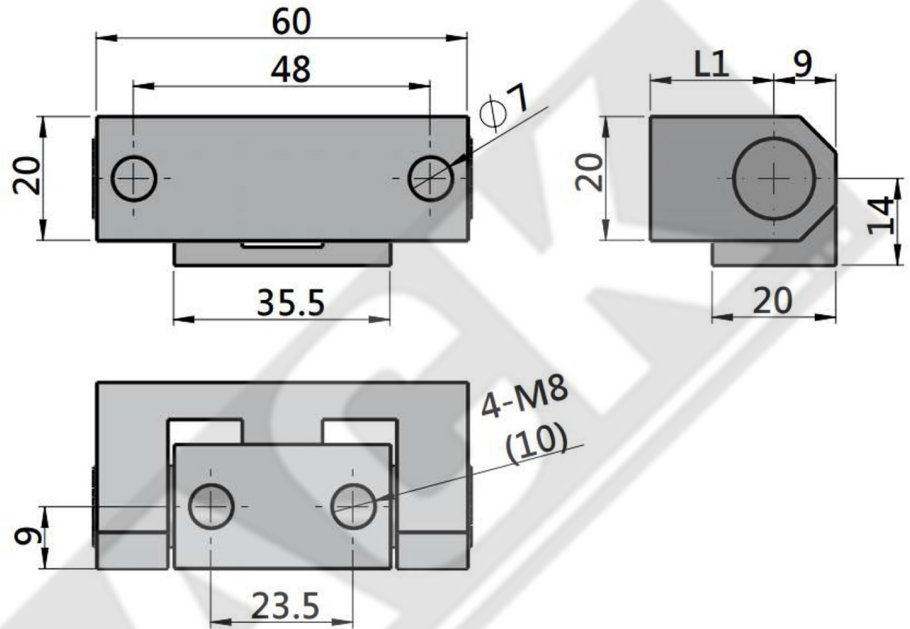
Photo View



3D Rendered View

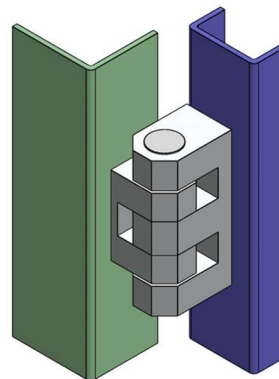


For Product Step File or 3D Model Send a Request Mail To info@nrack.com



Dimensions		Product Number	Weight (g)	Lot
L1	L2			
20	19.8	HL029- 1	228	150
15	18	HL029- 2	170	150
14.2	16	HL029- 3		

## HL 029 - 1



- Material: Zinc die-casting hinge, stainless steel and nickel plating steel pin are available
- Finish: Bright chrome plating
- Remark: 180° hinge